

Installation instructions for PZ4AL-08780-00  
Under Run Protective Shield Engine Bay and Transmission Case

## TOYOTA RAV4



Model Year

**RAV-4 - 2002 - 2006**

Vehicle Code

ZSA35L-BWFXPW  
ZSA30L-BWFXPW  
ZSA30L-BWFGPW  
ZSA30L-BWXXPW  
ZSA30L-BWXGPW

Part Number

PZ4AL-08780-00



Weight

15,98 kg



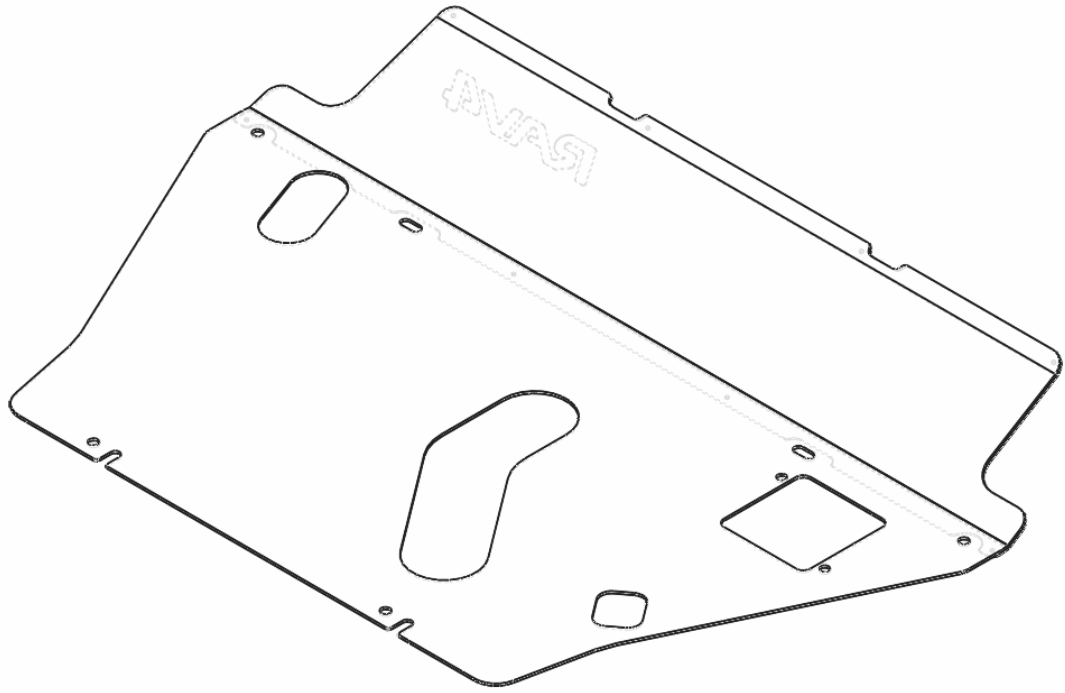
Installation Time

30 min

Manual reference number

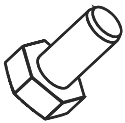
AIM 000-872-0

**A**



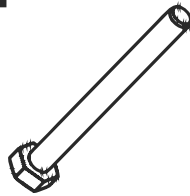
PZ4AL-08760-60

**B1**



x2 M10x20

**B2**



x2 M10x100

**B3**



x2 M8x12

**C1**



x2 Ø 8

**C2**



x4 Ø 10

**C3**



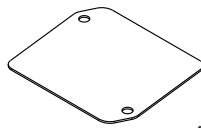
x2 Ø 8G

**C4**



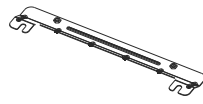
x4 Ø 10G

**D**



x1

**E**



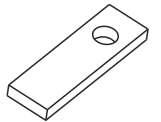
x1

**F**

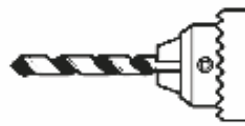
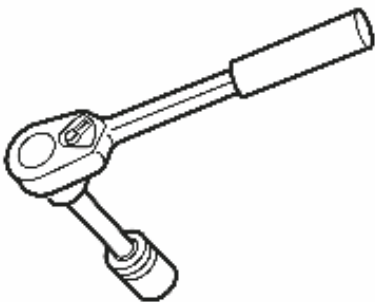


x2

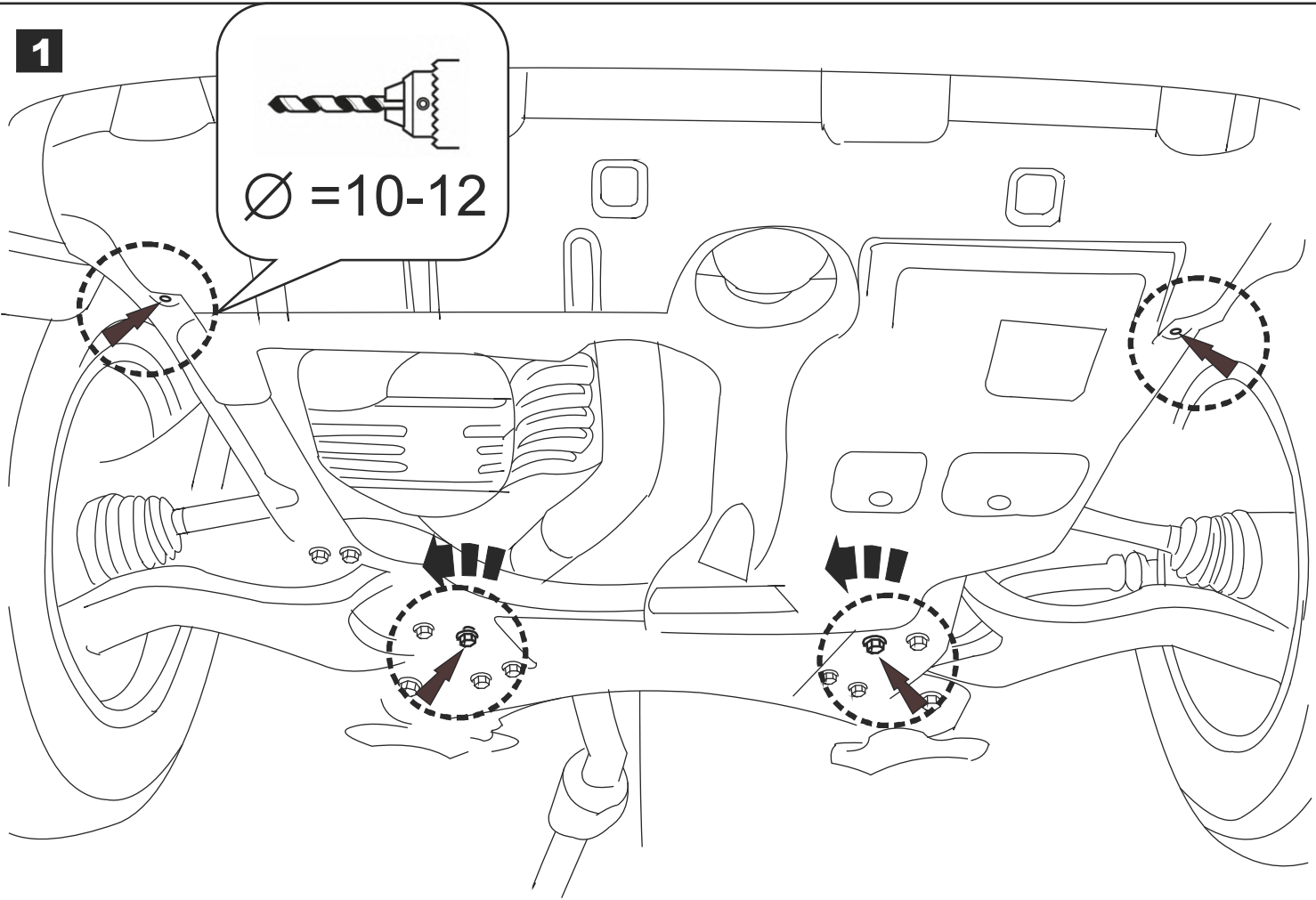
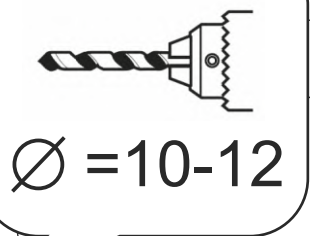
**G**



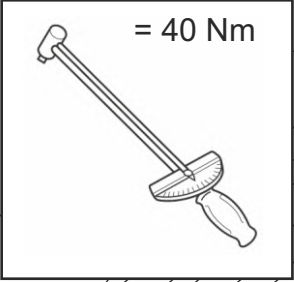
x2



**1**

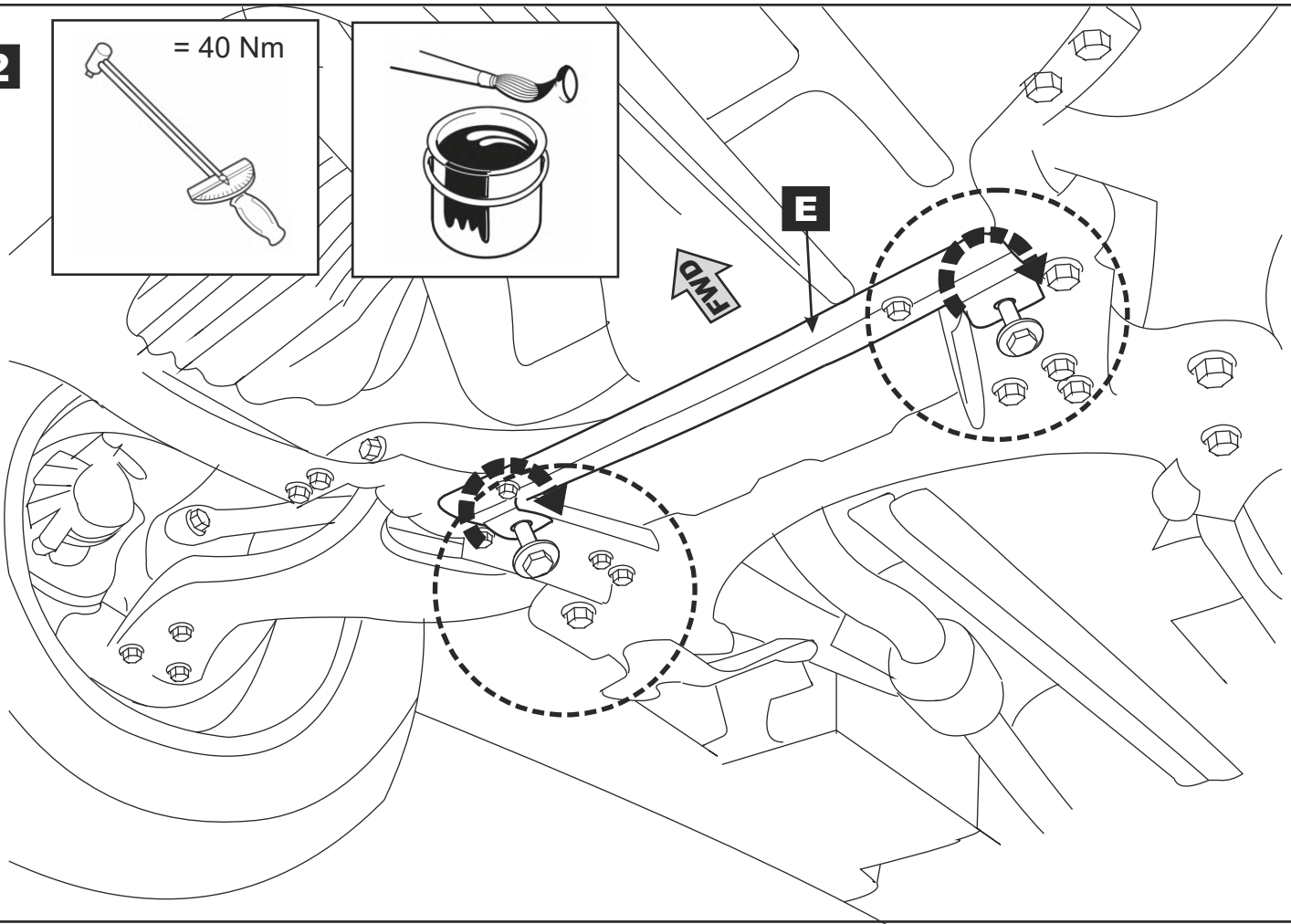


**2**

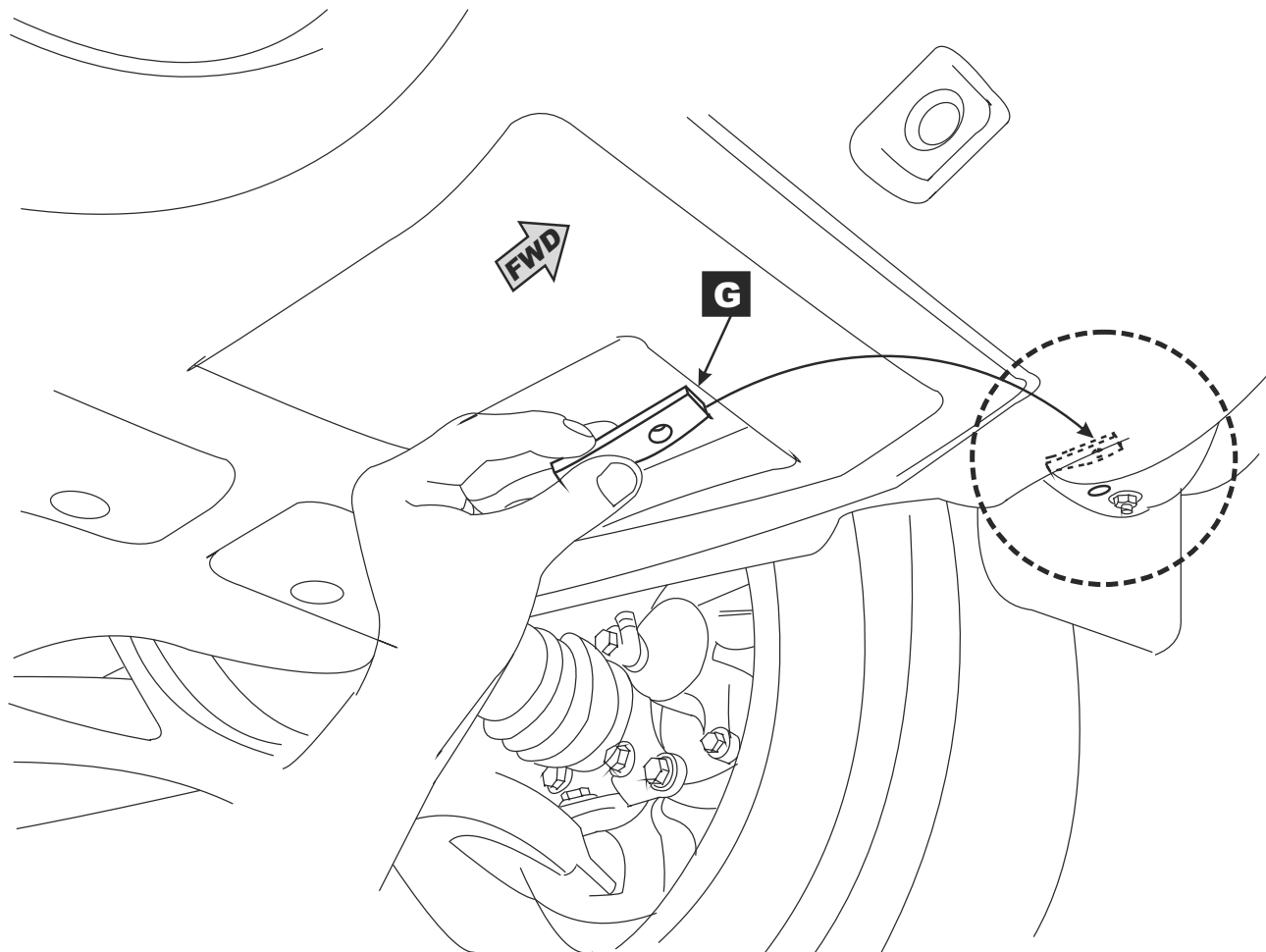


**E**

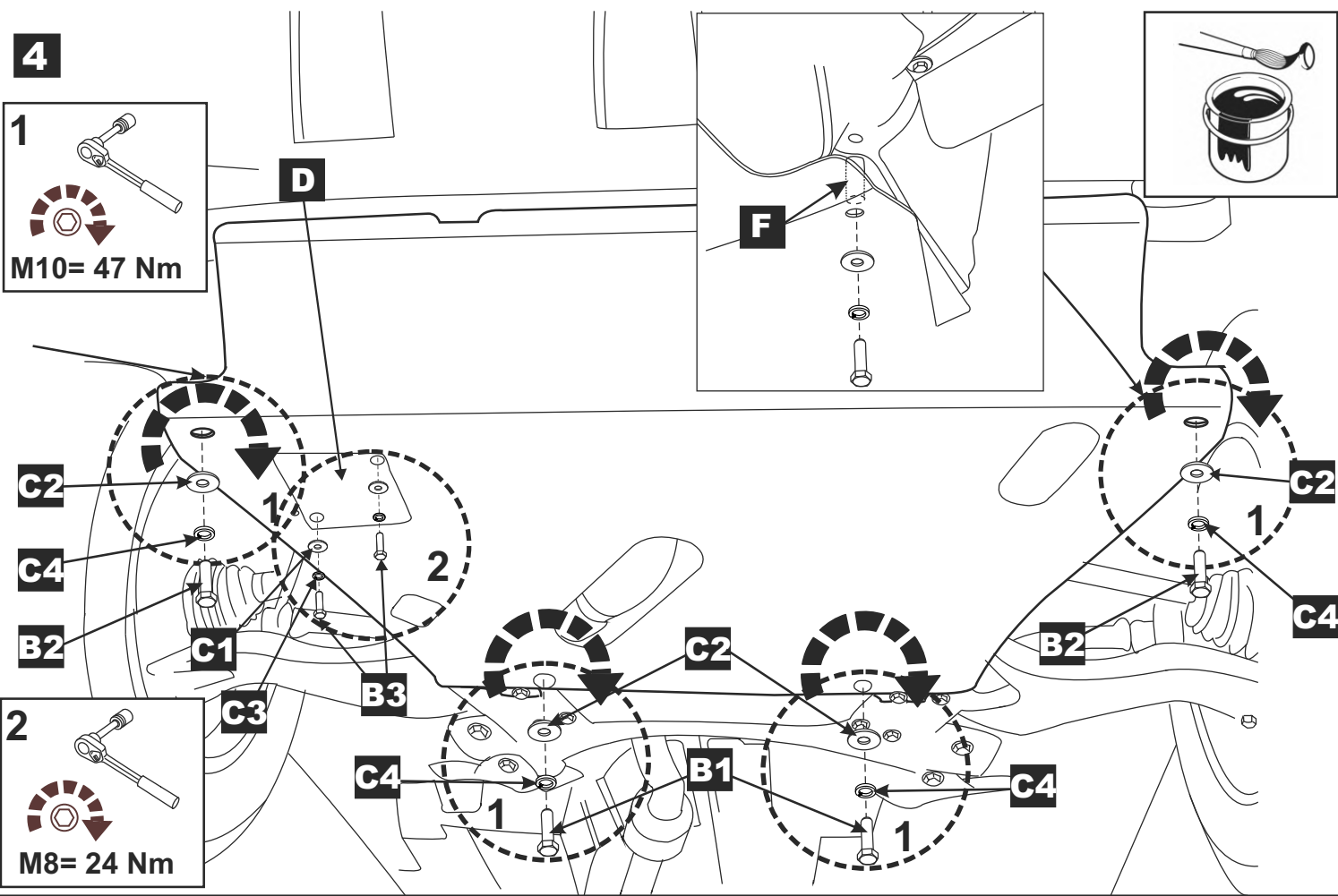
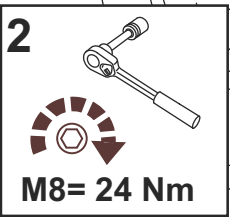
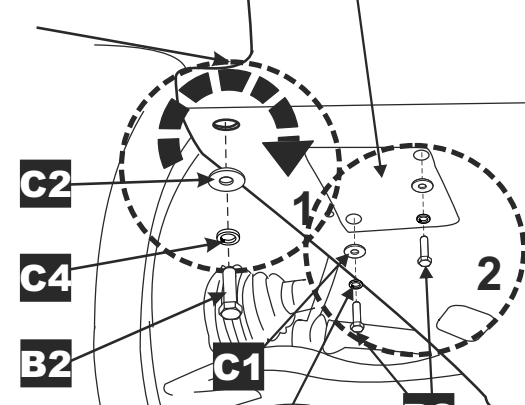
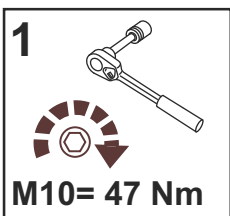
FWD



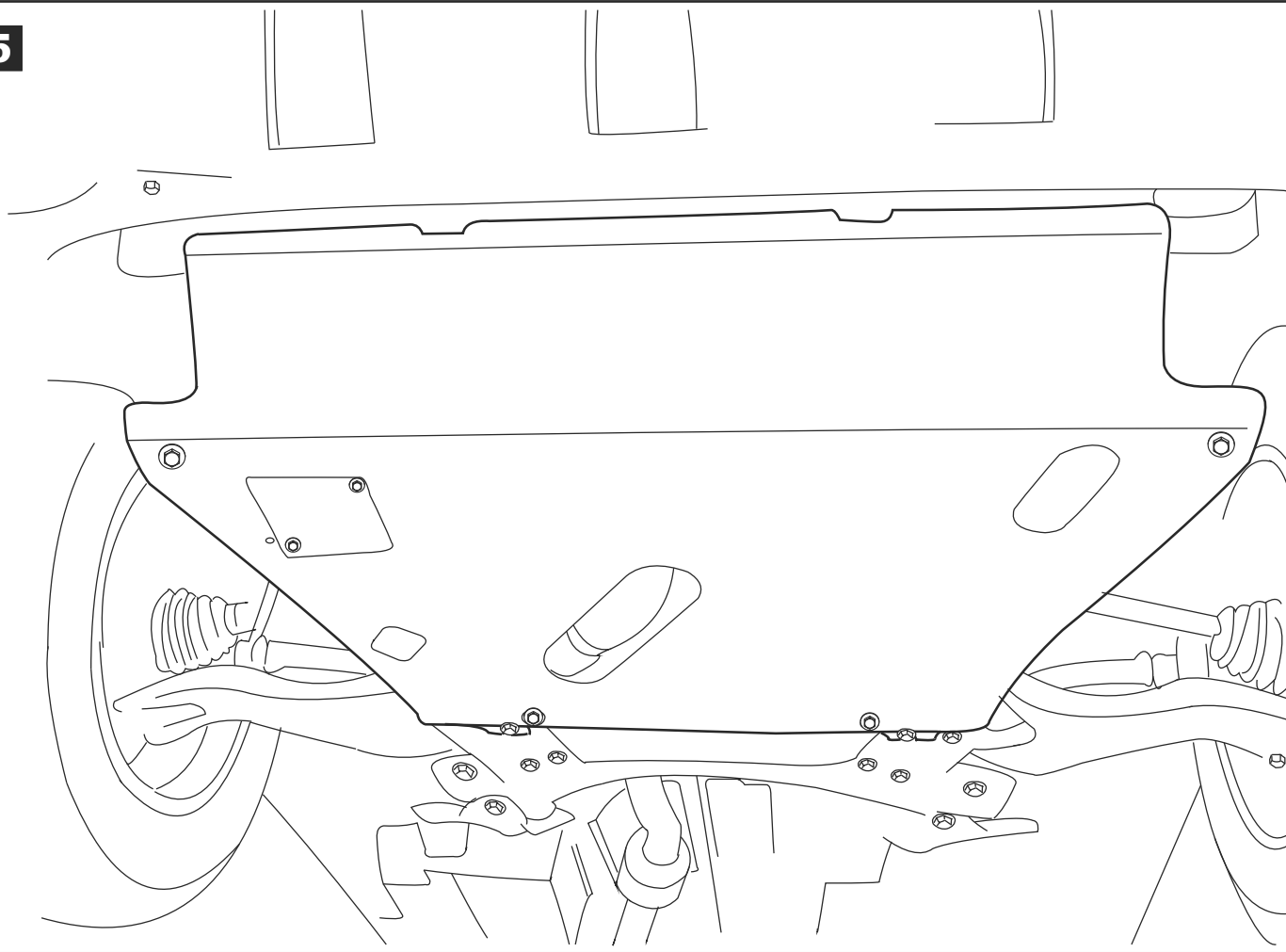
3



4



5



Part number:  
PZ4AL-08780-00

Issue:  
0

Date:  
03/04/13

Manual reference number:  
AIM 000-872-0

Page:  
5/5